

PRODUCT DATA SHEET

ISO-ZELL PE- AND PUR-CORD



PRODUCT DESCRIPTION

ISO-ZELL PE-CORD is a round seal, which fulfils the requirements of the DIN 18540 for backfill material on expanding joints. It consists of closed cellular polyethylene foam and is suitable for sealing against drafts and heat loss.

ISO-ZELL PE-CORD provides a reliable backfill on building joints and is characterised through its excellent compatibility with all standard sealing materials. Used as a backing support for sealants, 3-sided adhesion can be effectively eliminated.

APPLICATION

ISO-ZELL PE-CORD is particularly suitable for plugging and as backfill material for sound absorption and sealing of:

- cavity filling
- construction and variable joints
- joint sealant
- U-Profile glass sealing

Due to its water-resistant surface ISO-ZELL PE-CORD can be used in both interior and exterior areas as backfill material. The neutral product properties and the closed cellular surface also make it suitable to use with porous materials.

PRODUCT ADVANTAGES

- fulfils the requirements of the DIN 18540 for backfill material on expanding joints
- suitable for damp joints
- water and moisture resistant
- also suitable with porous materials
- minimises the joint depth and eliminates the 3-sided adhesion on back filled sealants (silicone, acrylic, PU, etc.)
- compatible with all standard sealants (silicon, acryl, etc.)
- elastic, flexible
- free from softeners
- ageing resistant

SERVICE

- standard sizes available from stock
- private label and / or special labelling available
- competent experienced technical support available in the field and by phone

PACKAGING

- 6 – 30mm diameter: endless coils
- 40 – 50mm diameter: 1 or 2 m long pieces

ISO-ZELL PE- AND PUR-CORD

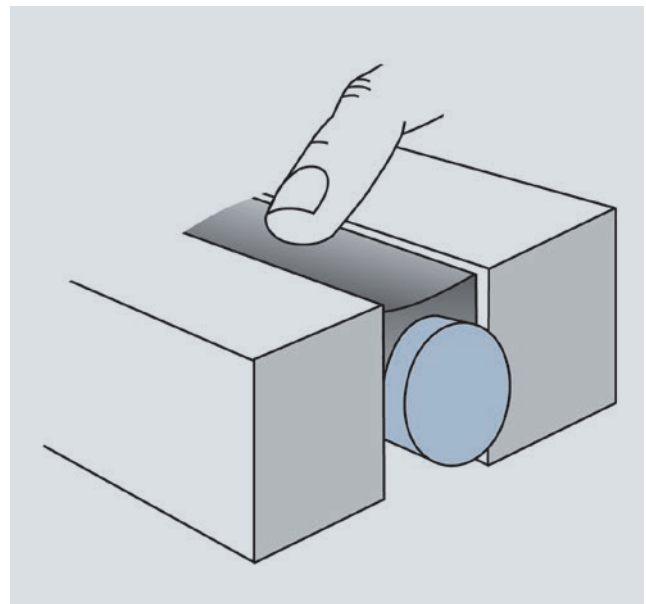
Technical data	Standard	Classification
Material description		closed cellular, cross linked PE-foam
Colour		grey
Building material class	DIN 4102	B2
Density	DIN 53420	30 kg / m ³
Tensile-strength	DIN 53571	kPa 320
Elongation	DIN 53571	approx. 170%
Compression at 40%	DIN 53577	kPa 85
Water absorption	DIN 53428	≤ 1%
Temperature stability range	Intern	approx. -40°C to approx. +60°C
Dimension tolerance	DIN 7715 T5 P3	requirements fulfilled
Shelf life		1 year, dry and in original packing
Storage temperature		+5°C to +20°C

PREPARATION

Compress the ISO-ZELL PE-CORD and insert it into the joint or cavity. Push it in until the desired joint depth is reached. For the joint to conform to DIN 18540, avoid stretching the cord when installing it and ensure any butt joints meet exactly. To avoid damage to the material it should not be installed using pointed instruments.

ISO-ZELL PUR-CORD

- characteristics: ISO-ZELL PUR-CORD is an open cellular polyurethane foam
- application: ISO-ZELL PUR-CORD is ideal as backfill material in internal joints which are not exposed to moisture
- form of delivery: 15 – 50 mm diameter: 1 m long pieces



Installation example